



## Ankersmid Flow Meter AFM 20X

### Application

The compact, flat, corrosion resistant **AFM 20X** flow meter for front panel mounting is used for flow control of gas media in analysis devices and systems.



\* Picture may vary

### Description

The **Ankersmid AFM 20X** flow meter consists of a vertical, internally conical glass tube widening towards the top in which a float can move freely upwards and downwards. A "front panel" of a maximum 4 mm thickness with two appropriate mounting bore holes serves as base body for attaching the head and the bottom part.

The measuring tube is sealed within the head and bottom part with FPM o-rings.

All parts coming into contact with the gas medium are made of PVDF, FPM and glass.

- High chemical resistance
- Compact, flat design
- With integrated tube connections DN 4/6

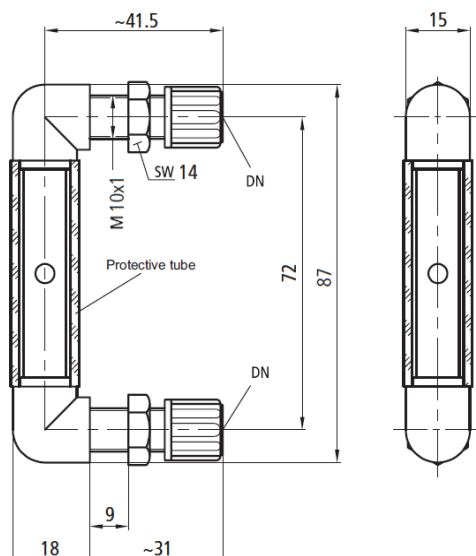
#### Materials

1. Housing	PP, PVDF
2. O-ring*	FPM
3. Measuring tube	Duran® glass
4. Float	glass
5. Protective tube	PMMA

Available range:

AFM 201	range: 0,2-2 NI/min
AFM 202	range: 0,2-2 NI/min

### AFM 201



### AFM 202

